

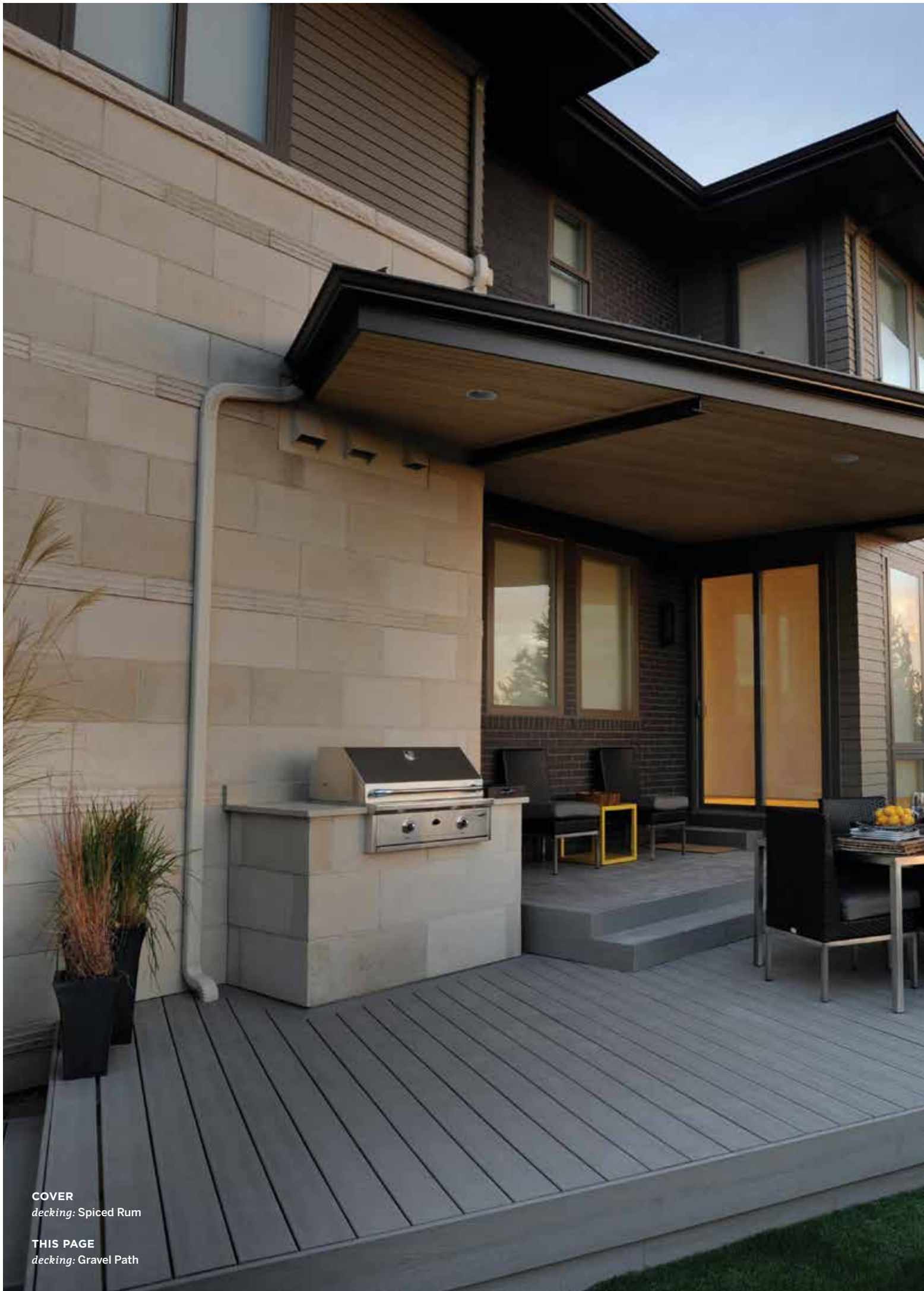


The World's #1 Decking Brand



TREX® DECKING

UNSURPASSED PERFORMANCE and enduring beauty



COVER
decking: Spiced Rum

THIS PAGE
decking: Gravel Path



WELCOME TO **Trex**[®]

PERFECTION by design

As the leading wood-alternative decking in the United States for more than 20 years, Trex[®] decks have inspired people to harness all the possibilities of the great outdoors.

UNPARALLELED BEAUTY

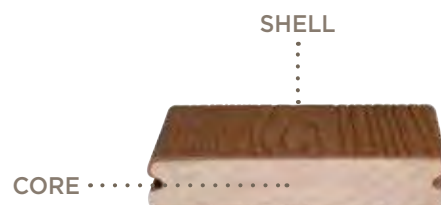
With a high-definition natural wood-grain pattern or our striated tropical hardwood finish Trex decking is engineered with a low-sheen, high-traffic technology that makes it last decades longer than anything else out there.

EARTH FRIENDLY

Our decking is made of 95% recycled materials, including plastic packaging, reclaimed wood and sawdust—no trees come down, no rainforests harvested. Plus, our processes are as green as they get, with factory runoff and refuse recycled back into the manufacturing line.

HASSLE FREE

Unless you call an occasional cleaning with soap and water “work,” get ready for hassle-free, carpe diem outdoor living, compliments of our signature high-performance shell, which protects the exposed surfaces and requires no sanding, no staining and no painting. Ever.



A photograph of a wooden deck and stairs in a wooded area. The deck is made of dark brown wood with a visible grain. The stairs lead up a hillside, and a stone retaining wall is visible on the left. A dark brown railing with vertical balusters runs along the stairs. The background shows a forest of tall, thin trees with some autumn-colored leaves.

THE GOOD LIFE
is way better outside



FIVE DEEP, LUXURIOUS COLOURS

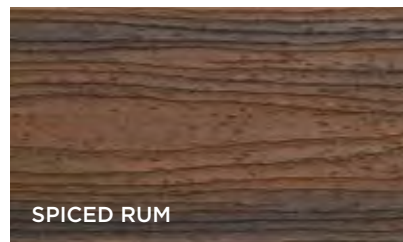
Trex Transcend® decking comes in five inspired tones, all of which offer deep wood grain and rich saturated colour engineered right into the board. So fall in love with one wisely. Because the colour you choose is the fade- and stain-resistant colour you'll enjoy for decades.



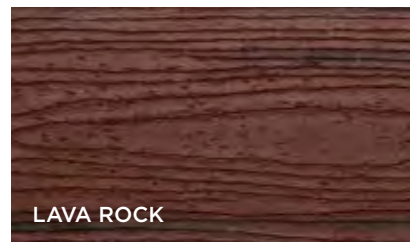
TIKI TORCH



HAVANA GOLD



SPICED RUM



LAVA ROCK



ISLAND MIST



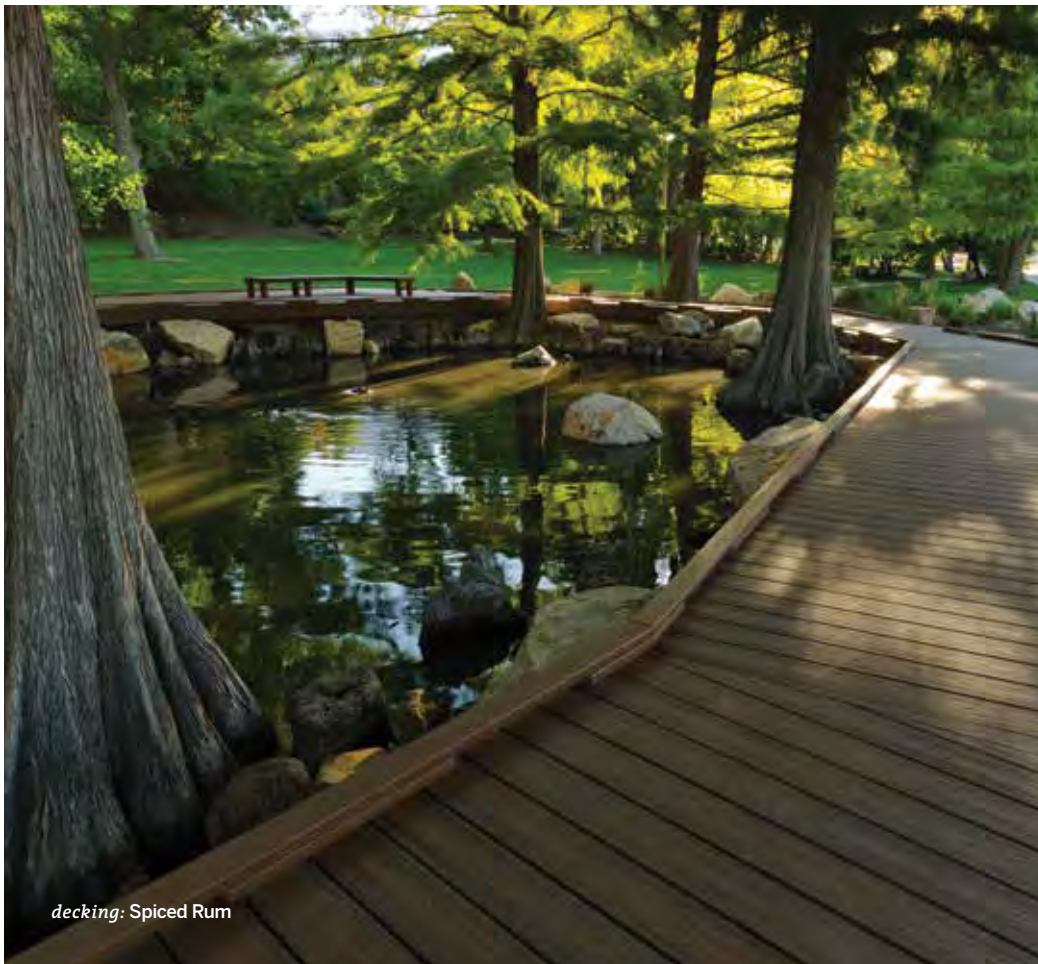
UNIVERSAL FASTENER
glass-filled nylon



START CLIP
stainless steel

TREX HIDEAWAY® HIDDEN FASTENING SYSTEM

Our grooved boards accommodate our revolutionary Trex Hideaway® Hidden Fastening System, which allows for a smooth, unfettered finish – no screws, no screw holes, nothing to interrupt the smooth texture and comfortable feel of your new Trex deck.



GREEN

is about to be your new favourite colour

Our company was built upon green principles and values, from our innovative materials to our eco-friendly processes.

RECYCLED MATERIALS




At Trex, we reuse as smartly as possible, creating innovative new products from not-so-new beginnings.

- » Trex saves around 180 million kilos of plastic and wood scrap from landfills every year.
- » Trex is one of the largest plastic packaging recyclers in the United States.
- » Trex hasn't felled one tree in all our years in the decking business. Instead, we use what others don't, including:
 - Reclaimed wood from woodworking operations
 - Used pallets
 - Sawdust (upwards of 90 million kilos a year)

Environmentally Friendly Productions

We regularly seek out third-party audits to make sure we're continuously improving our green practices while meeting all environmental, health and safety guidelines and regulations.

- » Trex trailers used to transport wood dust utilize vegetable-based oil hydraulics.
- » Factory runoff/refuse is recycled back into the manufacturing line.
- » As much as possible, Trex® packaging is made from recycled paper and plastic.

PROFILE	DESCRIPTION
<p>25 mm Grooved Edge Board</p> 	<p>25.4mm x 139.7mm x 5480mm Available in all five Transcend® colours</p>
<p>25 mm Square Edge Board</p> 	<p>25.4mm x 139.7mm x 5480mm Available in all five Transcend colours</p>
<p>19 mm x 184 mm Fascia</p> 	<p>19.1mm x 184.2 mm x 3660 mm Available in all five Transcend colours</p>

TOOLS	DESCRIPTION
<p>Start Clip (stainless steel)</p> 	<p>2.5 clips per lineal meter of start board and finish board (36 per bag)</p>
<p>Universal Fastener (glass-filled nylon)</p> 	<p>4.6m² Box (90 per box)</p>

WARRANTED TO WITHSTAND THE RIGORS OF TIME AND WEATHER

In fact, Trex stands behind the beauty and durability of our decking so loyally, we now offer a **25-Year Limited Residential Fade and Stain Warranty**.

For decades to come, you can count on the unparalleled fade- and stain- fighting performance of your Trex decking, complete with effortless and enduring beauty that's sure to invite a second glance. Find out more about the Limited Residential Fade and Stain Warranty at www.trex.com.

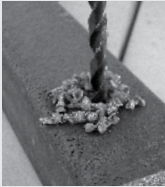
INSTALLATION

Before installing any Trex® product, you should review local building codes and regulations, and consult with local building officials, to ensure compliance and safety.

GLOSSARY OF TERMS

Carriage Bolt	A bolt with a rounded head and a square shoulder under the head to prevent turning during installation.
Connector Clip	Hidden fastener used between deck boards to secure positioning.
Joist	A horizontal structural pressure-treated board that runs from wall-to-wall, wall-to-beam, or beam-to-beam to support the deck floor and decking materials.
Lag Bolt	A large metal fastener with a hex head and screw threads that drive it into the wood.
Ledger Board	A beam supporting one end of the joists.
Nosing	The rounded front edge of a stair tread.
Pan-head Screw	Self-tapping screw with W-cut design and slightly rounded head.
Rim Joist	A joist on either side or the end of the deck. May have stairs attached and typically opposite of the ledger board.
Riser	The vertical board nailed to a stringer.
Scarf Cut	A joint used to join two pieces of decking end-to-end, usually cut at a 45° angle.
Self-tapping Screw	A fastener that taps and drills its own hole and does not require a pre-drilled hole.
Stair Tread	Steps or stairway boards that are the steps.
Start Clip	Metal clips used at the end of decking boards to secure them in position.
Stringer	The structural member in a stairway that supports the treads and risers.
Universal Fastener	Plastic 6 mm self-gapping hidden fastener that has increased durability and allows for easier and faster installation than traditional fasteners.

GENERAL TIPS

- » Most coloured chalk lines are permanent. **Use baby powder.**
- » We **DO NOT** recommend sanding. Sanding will change the appearance of the surface of Trex material and **will void the warranty with respect to any condition caused by such sanding.**
- » When drilling large or deep holes, periodically lift the bit out of the hole to remove the shavings. 
- » If you want to minimize the appearance of joists through the spaces between boards, paint the top of your joists black.
- » Trex® decking is suitable for a wide range of applications. It is not intended for primary structural members such as load bearing columns, joists, stringers and beams.
- » All boards are over length and all factory ends must be trimmed at installation.
- » Construction methods are always improving. Please make sure you have the most up-to-date installation instructions by visiting trex.com.



ALWAYS GREEN: Trex decking is made of 95% recycled materials, including plastic packages, reclaimed wood and sawdust.

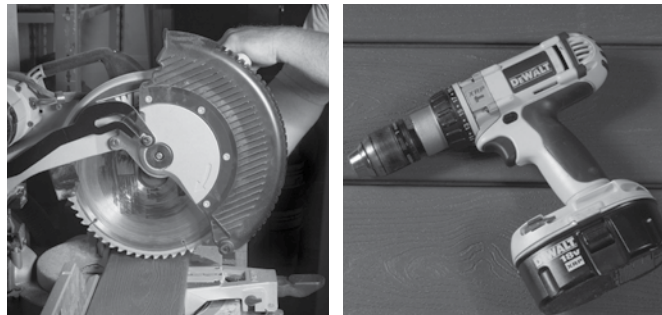
SAFETY

When working on any construction project, you should wear protective clothing and safety equipment. Wear safety glasses, gloves, a dust mask and long sleeves, particularly when cutting in confined spaces.

Trex decking and railing are heavier and more flexible than wood. **DO NOT** try to lift the same quantity of Trex boards as you would traditional lumber. Go to Trex.com for Material Safety Data Sheets (MSDS).

TOOLS

You can create intricate shapes, profiles, and patterns with Trex. Most installations require no special tools. For best results, use carbide-tipped blades and router bits.



When using a miter saw, we recommend a 254 mm - 305 mm saw blade with 40 teeth or less.

Install Trex recommended fasteners with standard power drills.

DECKING FASTENERS

For best results, we recommend Trex Hideaway® Hidden Fasteners, which work well and provide an attractive appearance.

If any condition occurs which is attributable to the use of non-recommended fasteners, such condition shall not be covered under Trex's Limited Warranty.



Start Clip



Universal Fastener

HIDDEN FASTENER TIPS

Start Clips Needed

You will need 2.5 clips per lineal meter of start board and finish board.

CONNECTOR CLIPS NEEDED					
Joist Spacing (on center)	Deck dimension in square meters				
	10	20	30	40	50
305 mm	230	460	640	920	1150
450 mm	180	360	540	720	900

Calculating the Number of Connector Clips Needed

- » # of joists x # of decking boards = # of connector clips needed.
- » Ninety connector clips will cover approximately 5 m² using 140 mm decking boards on 450 mm centers.

NOTE: When using hidden fasteners (both start and connector clips), one must be used on every joist.

AUSTRALIAN PHYSICAL & MECHANICAL PROPERTIES OF TREX TRANSCEND® AND TREX ENHANCE®

CRITERION	TEST METHOD	RESULTS	TEST EXPLANATION
Friction Coefficient	AS / NZS 4586 : 2004	Result/Class	
Transcend & Enhance	Appendix A, Wet Pendulum	28/ Y (high) [Transcend] 30/ Y [Enhance]	Contribution to slip when wet with water
Transcend & Enhance	Appendix B, Dry	0.45/ F-Pass [Transcend] 0.45/ F [Enhance]	Classification of Pedestrian Surface Materials according to dry floor friction test
Transcend & Enhance	Appendix A, B (dual)	Y	
Transcend & Enhance	Appendix C, wet barefoot ramp	31 degrees/C (highest class)	Classification of Pedestrian Surface Materials based on wet barefoot ramp test. Class A = lowest angle; C = highest angle. (higher is better)
Transcend & Enhance	Appendix D, oil-wet ramp	15.1 degrees / R10 [Transcend] 17.4 degrees / R10 [Enhance] (both Class 3 of 6)	Classification of Pedestrian Surface Materials according to dry floor friction test
Combustion Testing	AS 1530.8.1-2007		
Trex Transcend - Square Profil Trex Transcend - Groove Profil		BAL A29 [Square] BAL A19 [Groove]	A burning 'crib' is placed on a constructed Trex deck. The peak 'heat flux' is evaluated at its maximum and recorded

* Australian Lab = Exova Warringtonfire – Melbourne, Vic., Australia

Combustion Testing	AS 3837:1998		
Transcend & Enhance	Avg heat release	144.7 kW / m ² 140.6 kW / m ²	Measured 600 seconds after ignition
Transcend & Enhance	Max heat release rate	437.2 kW / m ² 365.3 kW / m ²	Maximum heat released at any point in 60 minute test

* Australian Lab = CSIRO Materials Science and Engineering – North Ryde, NSW, Australia

PHYSICAL & MECHANICAL PROPERTIES OF TREX TRANSCEND AND TREX ENHANCE

CRITERION	TEST METHOD	RESULTS	TEST EXPLANATION
Thermal Expansion Coefficient (Transcend and Enhance)	ASTM D696		
Width		8.94 x 10 ⁻⁵ cm/cm/C	Distance a 305 mm sample expands or contracts in the width direction at various temperatures
Length		4.1 x 10 ⁻⁵ cm/cm/C	Distance a 305 mm sample expands or contracts in the length direction at various temperatures
Compressive Strength (Transcend and Enhance)	ASTM D695		
Surface		12.45 MPa	Force required to compress the surface of a sample between two (2) 50 mm spheres for a 0.2 mm indentation
Edge		13.40 MPa	Force required to compress the surface of a sample between two (2) 50 mm spheres for a 0.2 mm indentation
Relative Density [g/cm³] (Transcend and Enhance)	ASTM D792		
		1.05	Mass per unit volume as compared to water (1.00 g/cm ³)
Resistance to Fungal Infestation	ASTM D1413		
[Brown, White Rot]		No decay	Samples are subjected to wood destroying fungi (white and brown rot) and evaluated for decay and weight loss.
Screw Retention (Transcend and Enhance)	ASTM D1761		
#8 screws		1,377.25 N/m	Amount of force it takes for a screw to be removed from a deck board
Water Absorption (Transcend and Enhance)	ASTM D1037		
Vol. %		<0.5%	Weight gain measurement of a deck board when immersed in water for 24 hrs.
Mass %		0	Change in mass measurement of a deck board when immersed in water for 24 hrs.

* ASTM (American Society for Testing of Materials) tests conducted at Washington State University (Pullman, WA, USA)



TREX TRANSCEND®, TREX ENHANCE® AND TREX SELECT® CARE AND CLEANING GUIDE

All exterior building materials require cleaning. Generally, soap and water is all that is required to clean Trex Transcend, Enhance and Select products. For further information, see below.

PROBLEM	SOLUTION
Dirt and Debris	The affected area should be sprayed off with a hose to remove surface debris. Use warm soapy water and a soft bristle brush to remove dirt and debris from the embossing pattern.
Hard Water Staining	Hard water is water with a high amount of mineral deposits like lime, silica and calcium. When the water dries, deposits are left behind, leaving unsightly spots on surfaces. This is not a defect of Trex products but an issue with the water itself. Generally these deposits can be cleaned with white vinegar on decking surfaces or use of Magic Eraser® on railing surfaces. Rinsing is required so care should be taken to not use hard water for this purpose, and if it must be used, dry with a cloth or use a blower to dry surfaces.
Chalk Lines	Most colored chalks are permanent and may discolor the surface. Use only Irwin Strait-Line®* Dust-Off Marking Chalk (purple), available at Irwin.com
Tannins Due to Debris	Remove all debris from the deck using a hose or broom. Once the deck surface is dry, apply a deck "brightener"*** to the deck as directed by the manufacturer. Deck Brighteners contain oxalic acid, which will also remove tannins.
Ice and Snow	A plastic shovel may be used to remove snow from the deck. Use calcium chloride or rock salt to melt the snow and ice from the deck surface.
Oil, Grease and Food	All food spills should be removed as soon as possible. The surface must be cleaned within seven days to maintain the stain warranty. To remove, spray off with a hose and use warm, soapy water and a soft bristle brush to remove spills from the embossing pattern.
Mold and Mildew	If debris such as pollen and dirt is allowed to remain on the deck surface, mold can feed on the biofilm. Using a hose and warm, soapy water with a soft bristle brush is recommended to remove the food source and mold.
Using a Pressure Washer (Concrete, Stucco or Ground-in Construction Dirt)	A pressure washer with no greater than 3100 psi*** that has a fan attachment/adjustment and soap dispenser may be used to remove dirt, concrete dust, or other types of construction dirt. Spray deck with soap, then follow with gently scrubbing each deck board with a soft bristle brush. Spray/rinse each individual deck board using a fan tip no closer than 8-in from the decking surface. RINSE THOROUGHLY. If dirty water from cleaning is left to dry, this will cause a film to remain on the decking surface.
Maintaining Transcend and Select Railing	NEVER use acetone or other solvents on Trex Transcend or Select railing to maintain the beauty of the surface. For color transfer issues (from attachment of baluster spacer), use Mr. Clean® Magic Eraser® Original or Magic Eraser® Extra Power to help remove this.**** For small surface scratches, marks or scuffs, use Dupli-Color Scratch Seal™ Clear Sealer Pen.*****
Job Site Storage	Store decking on a flat level surface, and always use proper supports (dunnage). Do not store directly on the ground. When stacking decking bundles, supports (dunnage) should start approximately 8-in (0.20 m) from each end and be spaced approximately 2-ft (0.61 m) on center. In addition, supports (dunnage) should line up vertically/perpendicular to the decking product. Adjust support blocks (dunnage) accordingly if bundles are loose. For Select decking, 1x12 and 1x8 products, the maximum stack height is 12 bundles. For all other decking products maximum stack height is 14 bundles (IMPORTANT TO NOTE THAT PROPER DUNNAGE SPACING MUST BE IN PLACE FOR THESE HEIGHTS.) When stacking multiple bundles, ensure that dunnage lines up vertically down through each stack. Always cover decking products on site until ready to be installed.

*Strait-Line® is a registered trademark of Irwin Industrial Tool Company.

**Use of products containing bleach or acid will lighten the surface of Trex. Use in an inconspicuous area to determine whether you like the effect. Neither product will affect the structural integrity of Trex.

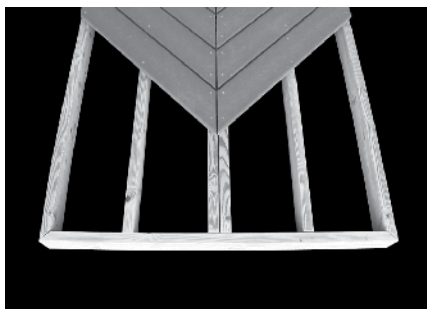
***Use of a pressure washer greater than 3100 psi could damage the boards and void the warranty.

****Mr. Clean® and Magic Eraser® are registered trademarks of The Procter and Gamble Company.

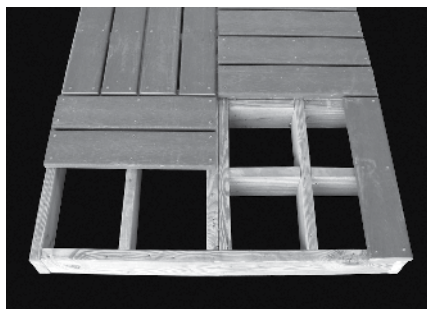
*****Scratch Seal™ Clear Sealer Pen is a registered trademark of Dupli-Color® Products Company.

SPECIAL PATTERNS

When planning a unique pattern, you will need to adjust the framing to support the surface pattern. Many decks are designed to take advantage of angles, as shown below.



Herringbone Pattern



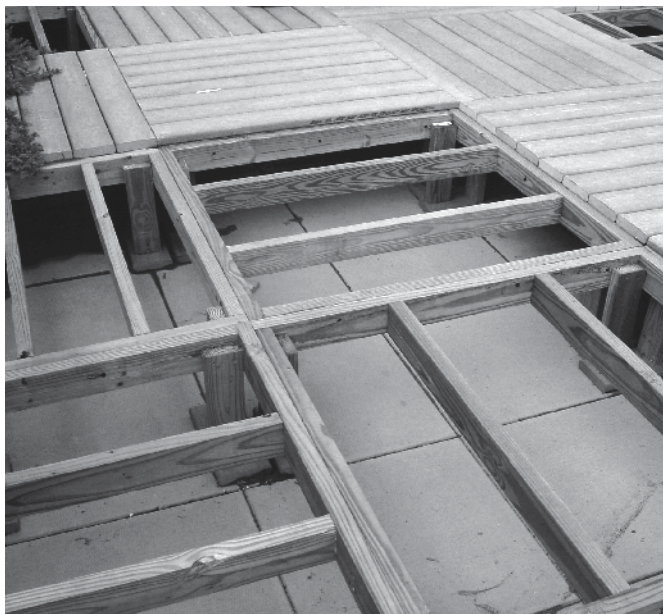
Tile Pattern



Picture Frame Pattern

ROOFTOP AND SLEEPER DECK SYSTEMS

Sleeper Deck Systems



A sleeper system is a buffer between a solid surface and Trex® decking. Drainage, access, and airflow are critical. Water must be able to flow through and away from the deck. For repairs and removal of debris, joist system access is necessary. Good airflow will keep the decking dry and in good condition.

Trex, when used with a sleeper system, must be supported below its entire length and if used in a roofing application, the supports must run the direction of the pitch of the roof to facilitate proper drainage. In addition, sleeper joists must be attached to the roof structure in a manner that stabilizes the deck frame. Failure to do so may result in a poor structure which will compromise deck performance.

In areas of application where a sleeper system is required that would not be susceptible to excessive debris buildup (examples would include covered areas such as balconies, porches, etc.), a minimum height of 38 mm for pressure-treated joists as well as a minimum 6 mm gap between Trex decking would be acceptable. These areas would still have to be designed to allow for proper drainage and hidden fasteners would be acceptable. However, if access to the structure under the decking is required, it would be recommended to use either the Universal Fastener (plastic) or 51 mm composite decking screws. A 6 mm to 13 mm gap is still required when abutting walls or other fixed objects.

In all other areas where there could be excessive water buildup along with debris buildup, Trex would still recommend a minimum height of 89 mm for pressure-treated joists, as well as a gap of 10 mm. For this application, hidden fasteners would not be recommended and standard 76 mm composite screws would be used.

ALWAYS consult your local building code authority for proper details on roof and railing installation to the roof structure if required.

ROOFTOP DECK TIPS

- » If you want to access the roof, you must build the Trex deck in removable sections or with removable fasteners.
- » You must attach the sleeper joists to the roof structure so that they stabilize the deck frame. Failure to do so may result in a poor structure which will compromise deck performance.

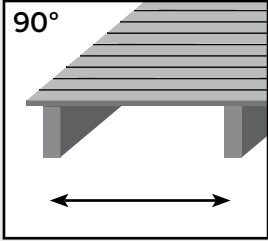
CODE COMPLIANCE

Joist Spanning for Decking

The joists must be spaced on center according to the chart below. Be sure that joists are level and plumb. Trex® decking must span at least three joists. For heavy items such as hot tubs, planters, etc., consult a local building engineer or inspector for span recommendations. If you want to minimize the appearance of joists through the spaces between boards, paint the top of your joists black.

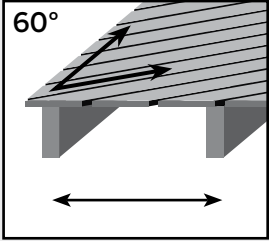
For a Materials Safety Data Sheet (MSDS), please visit trex.com

ADJUST JOIST SPANNING TO ACCOMMODATE ANGLED DECKING PATTERNS*



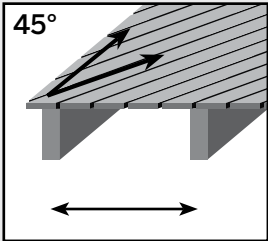
90°

Perpendicular to joists.
See chart below.



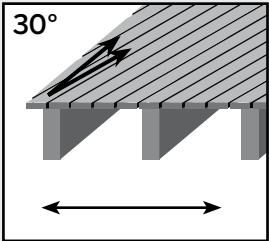
60°

At a 60° angle, maximum joist spanning is 51 mm less than listed in the chart below.



45°

At a 45° angle, maximum joist spanning is 102 mm less than listed in the chart below.



30°

At a 30° angle, maximum joist spanning is 1/2 of the distance listed in the chart below.

TREX DECKING SPAN CHART (On Center)			
	Residential Decks, Light Duty Docks, Residential/Day care Playground	Commercial Decks, Boardwalks and Marinas	
Decking Loading	4560 N/m ²	4788 N/m ²	9576 N/m ²
140 mm x 25 mm Boards	450 mm	406 mm	305 mm

*Only available in select areas.

GAPPING

You must gap Trex® decking, both end-to-end and width-to-width. Gapping is necessary for drainage and the slight thermal expansion and contraction of Trex decking boards. Gapping also allows for the shrinkage of the wood joist system.

- » **ALWAYS** follow Trex-recommended gapping guidelines.
- » Maximum allowable perpendicular overhang for Trex is 102 mm.
- » All decks require air circulation to keep them dry and looking good. To improve air flow, leave openings under the decking or increase gapping to 10 mm.

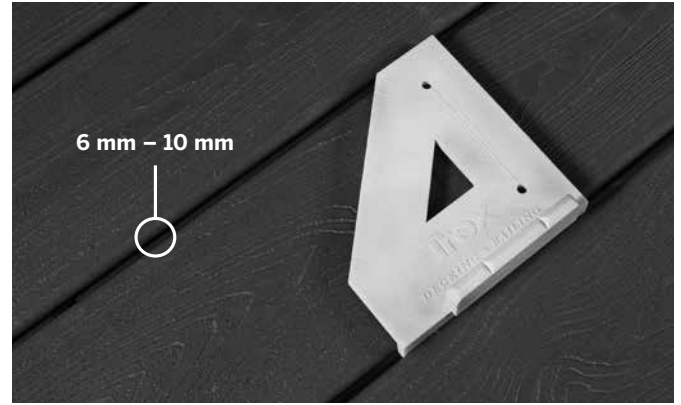
WIDTH-TO-WIDTH GAP	
Above 4.5°C*	6 mm
Below 4.5°C*	10 mm

*Temperature at installation.

END-TO-END/END-TO-WIDTH AND ABUTTING GAP		
	End-to-End/ End-to-Width	Abutting Gap
Above 4.5°C*	3 mm	6 mm
Below 4.5°C*	5 mm	13 mm

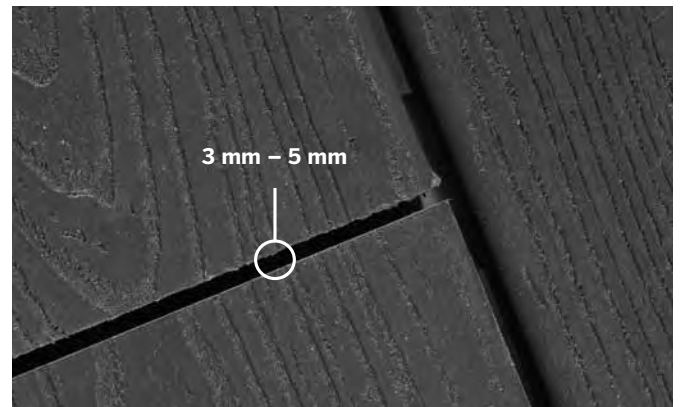
*Temperature at installation.

- » When you use the recommended hidden fasteners, the placement of the hidden fastener establishes the designated gap size.



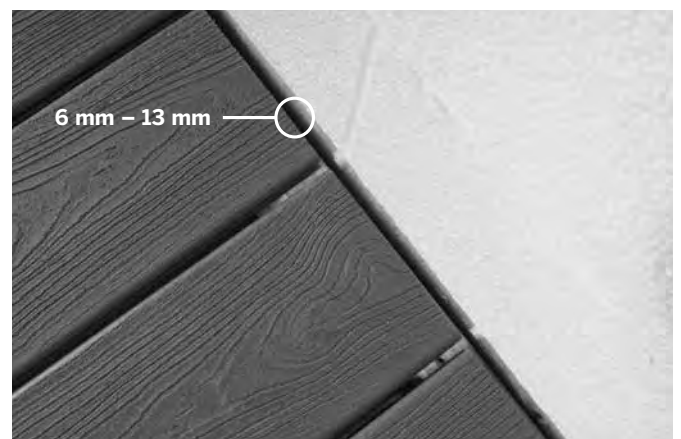
Width-to-Width

The minimum required width-to-width gapping is 6 mm. When installing in temperatures below 4.5°C, Trex recommends 10 mm gapping. For docks and heavily wooded areas, Trex recommends a 10 mm gap as well. No gapping should ever exceed 13 mm.



End-to-End/End-to-Width

Gap Trex decking end-to-end, based upon the temperature at installation. See chart at left.



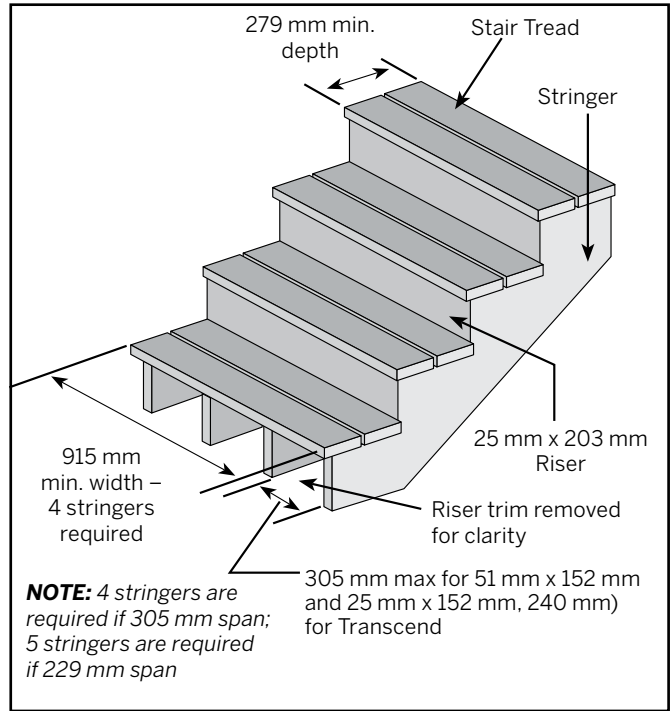
Abutting Solid Objects

When decking is abutting a wall, you must also gap it 6 - 13 mm depending on the temperature at installation. See chart at left.

STAIRS

Stairway Detail

- » Fasten stair treads continuously across at least four stringers.
- » See chart (at right) for center-to-center spacing of profiles.
- » Dress the sides of the stringers and risers with Trex® Fascia or trim for a finished look.
- » Gapping between Trex boards on stair treads must be 6 mm - 10 mm.
- » The overhang of the stair tread is not to exceed 13 mm.



MAXIMUM SPACING ON CENTER OF JOIST	
51 x 152 mm, 25 x 152 mm Boards	305 mm

HOW TO INSTALL STAIR TREADS

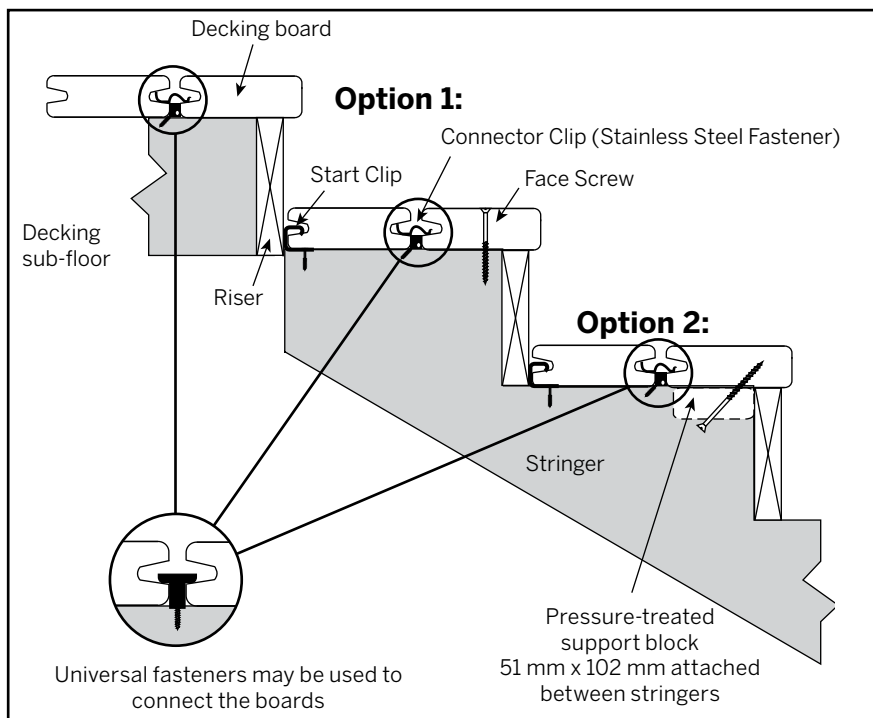
Installation Options

Option 1: Using Hidden Fastening System

1. Install start clips against riser on each step.
2. Install first board.
3. Install second board.
4. Secure with screws from top of second board into stringer boards.

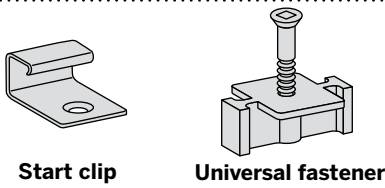
Option 2: Using 51 mm x 102 mm Wood Support Blocks

1. Install start clips against riser on each stair tread.
2. Install first board.
3. Attach 51 mm x 102 mm long wood support blocks between stringers.
4. Pre-drill holes up through blocks.
5. Install second board.
6. Secure with screws from bottom through blocks and into stair treads.



HOW TO INSTALL UNIVERSAL HIDDEN FASTENERS

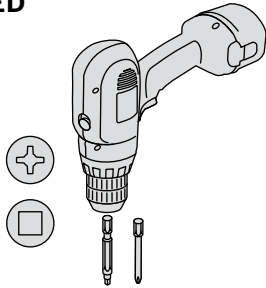
PARTS



Start clip

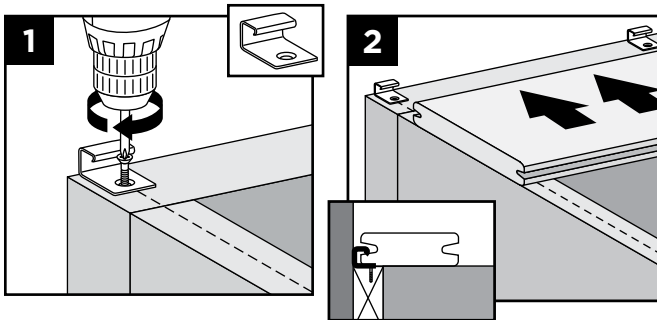
Universal fastener

TOOLS NEEDED



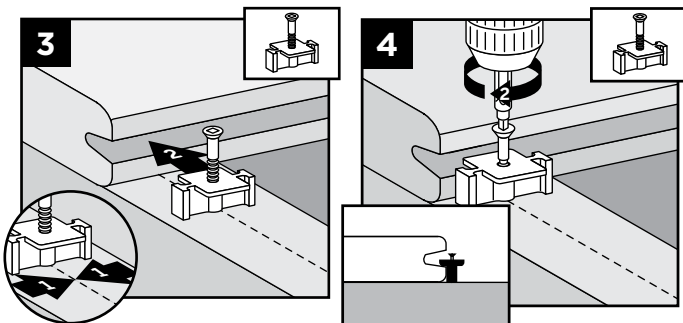
NOTE: Maximum spacing of deck boards using Hideaway system is 450 mm on center. Fasteners provide 6 mm gap when installed correctly.

Installing Start Clips and First Board



1. Install start clips on edge of ledger board, centered on each joist. Secure clips with screws.
2. Push grooved edge of deck board into start clips.
Important: First board MUST be straight and well secured.

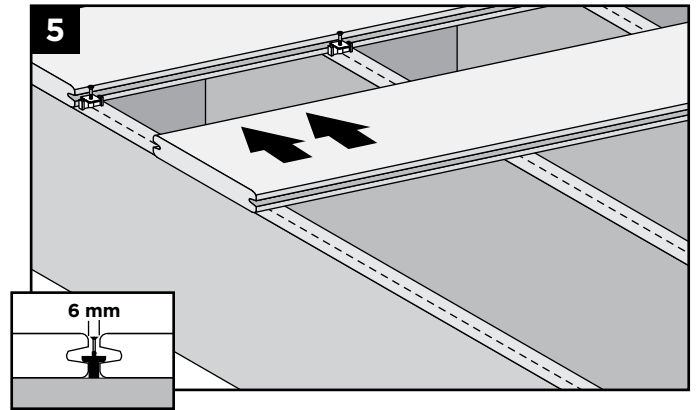
Install Universal Fasteners



3. Insert fastener into grooved edge of deck board.
4. Align screw hole in fastener with center of joist. Continue along the length of the board at every joist.

NOTE: Screw only half way down. **DO NOT** fully tighten.

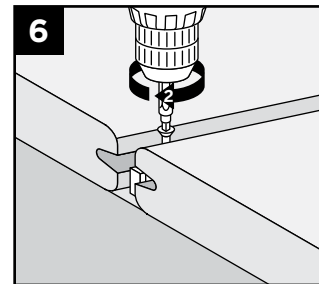
Installing Second Board



5. Slide second board into place, making sure fasteners fit into groove. Install the next universal fastener on the other side of the second board in the same manner as Steps 3 and 4. **DO NOT** fully tighten the screw.

Complete Installation

6. Tighten screws on fasteners in first row. Proceed with Steps 3 through 5, tightening down each row after board that follows is in place. Be sure to use a long #1 square bit.

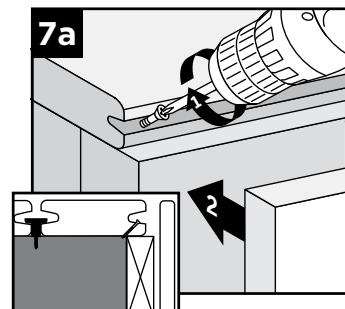


Installing Last Board

Option 1:

Using Fascia Board

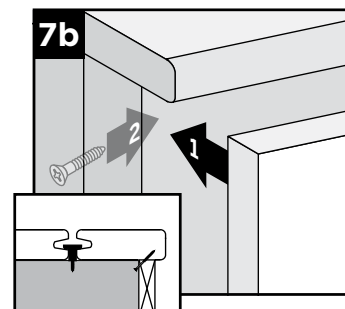
- 7a. Pre-drill pilot hole at an angle through grooved edge of deck board into ledger board. Install 64 mm screws through pilot holes to secure. Attach a fascia board flush with deck surface.



Option 2:

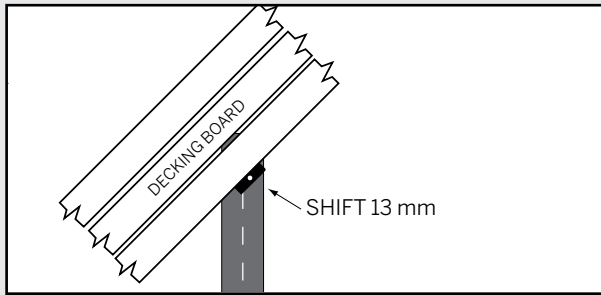
With Deck Board Overhang

- 7b. Pre-drill pilot holes at 45° angle from below deck surface through rim joist. Seat last board into fasteners overhanging rim joist. Secure board with 64 mm screws using pilot holes. Position fascia board below overhanging deck board.



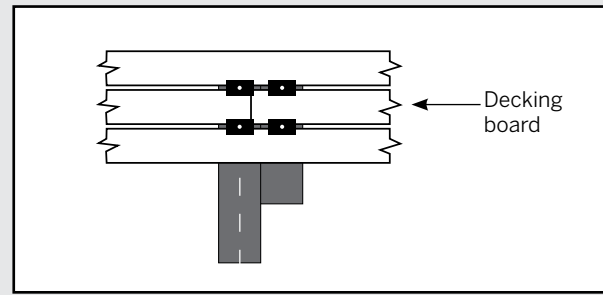
TIPS FOR INSTALLING A TREX HIDEAWAY® HIDDEN FASTENING SYSTEM

Installing Angled Deck Boards in Corners



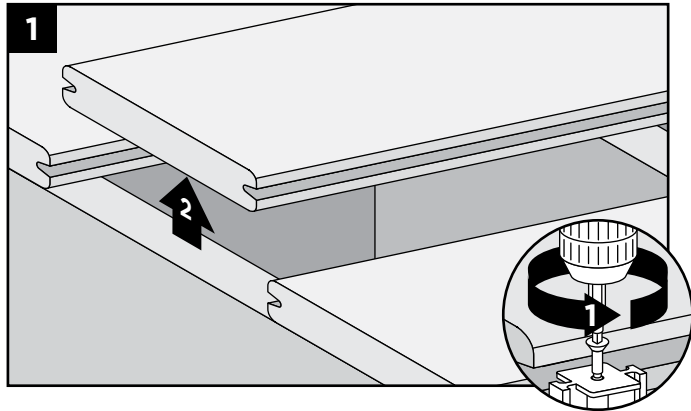
ALWAYS start in corner with a small triangular piece of decking at 45° and work outwards. Install Trex Hideaway fasteners 13 mm off center to keep fastener screws in middle of joists.

How to Butt Seams

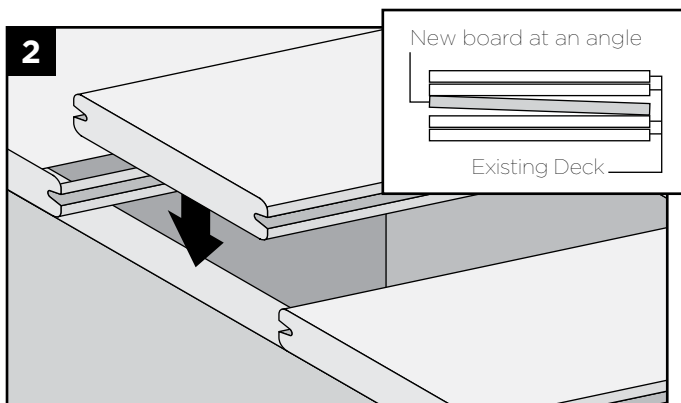


1. Install 254 mm - 305 mm framing boards along joists where seams will butt.
2. Place additional fasteners on the adjacent board over the joist and framing boards where the seam will be.
3. Put the first board of the seam in place and secure with fastener.
4. Butt end of second board to first and secure with fastener.
5. Place second set of fasteners on each side of butt seam for next board.

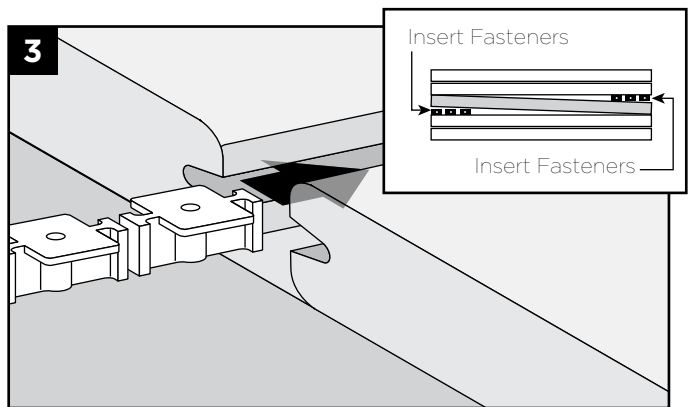
HOW TO REPLACE TREX® BOARDS INSTALLED WITH UNIVERSAL FASTENERS



1. Remove screws from fasteners on both sides of board to be replaced and remove board.



2. Angle new board to place. See inset box (above).



3. Slide a fastener for each joist into board grooves from both ends of the board.

NOTE: You may have to loosen adjacent boards to slide fasteners into position.

4. Position replacement board and secure fasteners on center of each joist.



TREX® LIMITED WARRANTY

Trex Company, Inc. (hereinafter "Trex") warrants to the original purchaser ("Purchaser") that, for the period of time set forth in the following sentence, under normal use and service conditions, Trex products shall be free from material defects in workmanship and materials, and shall not split, splinter, rot or suffer structural damage from termites or fungal decay. The term of such warranty shall be twenty-five (25) years from the date of original purchase for a residential application, and ten (10) years from the date of original purchase for a commercial application. If a defect occurs within the warranty period, Purchaser shall notify Trex in writing and, upon confirmation by an authorized Trex representative of the defect, Trex's sole responsibility shall be, at its option, to either replace the defective item or refund the portion of the purchase price paid by Purchaser for such defective item (not including the cost of its initial installation).

Notwithstanding the foregoing, (a) the term of the warranty for the LED lights and housing for Trex DeckLighting™ shall be seven (7) years, the term of the warranty for the LED lights and housing for Trex LandscapeLighting™ shall be five (5) years, and the term of the warranty for the dimmer, timer and transformer for both shall be three (3) years, in each case provided that a Trex transformer is used (with no warranty on any components if a Trex transformer is not used), and any other parts or accessories shall not be warranted; (b) with respect to hardware for the Trex Surroundings gate (gate frame, hinges and screws), the term of the warranty shall be five (5) years, (c) with respect to Trex Decorative Balusters, the term of the warranty covering the paint coating shall be ten (10) years, and shall be prorated in the following manner: 100% replacement for the first five (5) years; and 50% replacement for the next five (5) years, and (d) this warranty shall not apply to Trex Elevations® steel deck framing, Trex Reveal® aluminum railing and TrexTrim™ (which each have separate warranties).

For purposes of this warranty, a "residential application" shall refer to an installation of the Product on an individual residence, and a "commercial application" shall refer to any installation of the Product other than on an individual residence.

TO THE FULLEST EXTENT PERMITTED UNDER THE LAW, THIS WARRANTY SHALL NOT COVER AND TREX SHALL NOT BE RESPONSIBLE FOR COSTS AND EXPENSES INCURRED WITH RESPECT TO THE REMOVAL OF DEFECTIVE TREX PRODUCTS OR THE INSTALLATION OF REPLACEMENT MATERIALS, INCLUDING BUT NOT LIMITED TO LABOUR AND FREIGHT.

With respect to a residential application, this warranty may be transferred one (1) time, within the five (5) year period beginning from the date of original purchase by the Purchaser, to a subsequent buyer of the property upon which the Trex products were originally installed. With respect to a commercial application, this warranty is freely transferable to subsequent buyers of the property upon which the Trex products were originally installed.

To make a claim under this limited warranty, Purchaser, or the transferee, shall send to Trex, within the warranty period referred to above, a description of the claimed defect and proof of purchase, to the following address:

Trex Company, Inc.
Customer Relations
160 Exeter Drive
Winchester, VA 22603-8605

Trex does not warrant against and is not responsible for any condition attributable to: (1) improper installation of Trex products and/or failure to abide by Trex's installation guidelines, including but not limited to improper gapping; (2) use of Trex products beyond normal use and service conditions, or in an application not recommended by Trex's guidelines and local building codes; (3) movement, distortion, collapse or settling of the ground or the supporting structure on which Trex products are installed; (4) any act of God (such as flooding, hurricane, earthquake, lightning, etc.), environmental condition (such as air pollution, mold, mildew, etc.), staining from foreign substances (such as dirt, grease, oil, etc.), or normal weathering (defined as exposure to sunlight, weather and atmosphere which will cause any colored surface to gradually fade, chalk, or accumulate dirt or stains); (5) variations or changes in color of Trex products; (6) improper handling, storage, abuse or neglect of Trex products by Purchaser, the transferee or third parties; or (7) ordinary wear and tear.

No person or entity is authorized by Trex to make and Trex shall not be bound by any statement or representation as to the quality or performance of Trex products other than as contained in this warranty. This warranty may not be altered or amended except in a written instrument signed by Trex and Purchaser.

TO THE FULLEST EXTENT PERMITTED UNDER THE LAW, UNDER NO CIRCUMSTANCES WILL TREX BE LIABLE FOR INCIDENTAL OR CONSEQUENTIAL DAMAGES, WHETHER SUCH DAMAGES ARE SOUGHT IN CONTRACT, IN TORT (INCLUDING BUT NOT LIMITED TO NEGLIGENCE AND STRICT LIABILITY) OR OTHERWISE, AND TREX'S LIABILITY FOR NON-PERSONAL INJURY CLAIMS WITH RESPECT TO DEFECTIVE PRODUCTS SHALL IN NO EVENT EXCEED THE REPLACEMENT OF SUCH PRODUCTS OR REFUND OF THE PURCHASE PRICE, AS DESCRIBED ABOVE.

Our goods come with guarantees that cannot be excluded under the Australian Consumer Law. You are entitled to a replacement or refund for a major failure and for compensation for any other reasonably foreseeable loss or damage. You are also entitled to have the goods repaired or replaced if the goods fail to be of acceptable quality and the failure does not amount to a major failure. The benefits under this Warranty are in addition to other rights and remedies under a law in relation to the goods to which this warranty relates.

This warranty shall only be applicable and enforceable in Australia.

Copyright © 2016 Trex Company, Inc.



TREX TRANSCEND[®], TREX ENHANCE[®], TREX CONTOUR[®] AND TREX[®] FASCIA LIMITED FADE & STAIN WARRANTY

For the term set forth below, Trex Company, Inc. (hereinafter "Trex") warrants to the original end-user purchaser (the "Purchaser") that Trex Transcend[®] decking or porch planks, Trex Enhance[®] decking, Trex Contour[®] decking, or Trex Universal Fascia, as the case may be (the "Product") will perform, under normal use and service conditions, as follows:

Term of Warranty: The term of this warranty shall begin on the date of original purchase, and shall end (1) twenty-five (25) years thereafter for a residential application of the Product, and (2) ten (10) years thereafter for a commercial application of the Product.

Residential/Commercial Application: For purposes of this warranty, a "residential application" shall refer to an installation of the Product on an individual residence, and a "commercial application" shall refer to any installation of the Product other than on an individual residence.

Fade Resistance: The Product shall not fade in color from light and weathering exposure as measured by color change of more than 5 Delta E (CIE) units.

The Product is designed to resist fading. No material is fade proof when exposed to years of UV exposure and the elements. The Product is designed to resist fading, and will not in any event fade by more than 5 Delta E (CIE) units.

Stain Resistance: The Product shall be resistant to permanent staining resulting from spills of food and beverage items including ketchup, mustard, salad oils, tea, wine, coffee, fruit punch, barbecue sauce, grease, sodas and other food and beverage related items that would typically be present on a residential deck, or mold and mildew naturally occurring in the environment, provided that such substances are removed from the Product with soap and water or mild household cleaners after no more than one (1) week of exposure of the food or beverage to the surface or first appearance of the mold and mildew.

Notwithstanding the foregoing, Trex does not warrant that the Product is stain-proof, and does not warrant stain resistance resulting from spilled or otherwise applied food and beverage substances which are not properly cleaned as provided above within one (1) week of exposure. In addition, materials not covered in the stain resistant warranty include abrasive compounds of acidic or basic pH, paints or stains, strong solvents, metallic rust or other abnormal deck use items, and non-food and non-beverage substances, including but not limited to, biocides, fungicides, plant food, or bactericides. Mold and mildew can settle and grow on any outdoor surface, including this Product. You should periodically clean your deck to remove dirt and pollen that can feed mold and mildew. This warranty does not cover mold and mildew which is not properly cleaned as provided above within one (1) week of first appearance.

Standard Trex Company Limited Warranty: This warranty is in addition to the standard Trex Company Limited Warranty that applies to all Trex products.

Transferability: With respect to a residential application, this warranty may be transferred one (1) time, within the five (5) year period beginning from the date of original purchase by the Purchaser, to a subsequent buyer of the property upon which the Trex products were originally installed. With respect to a commercial application, this warranty is freely transferable to subsequent buyers of the property upon which the Trex products were originally installed.

Exclusions from Warranty Coverage:

Exposure to Heat: Direct or indirect contact with extreme heat sources (over 275 degrees) may cause fading and may damage the surface of the Product, and any effects of such exposure are expressly excluded from coverage under this warranty.

Surface Damage: Never use metal shovels or sharp-edged tools to remove snow and ice on the surface of the Product. If the surface of the Product is damaged or punctured, this warranty will be voided.

Paint or Other Materials Applied to the Product: If paint or other coating materials are applied to the Product, this warranty will be voided.

Railing: This warranty does not cover Trex Transcend[®] railing components.

Other Exclusions: This warranty shall not cover any condition attributable to: (1) improper installation of the Product and/or failure to abide by Trex's installation guidelines, including but not limited to improper gapping; (2) use of the Product beyond normal use or service conditions, or in an application not recommended by Trex's guidelines and local building codes; (3) movement, distortion, collapse or settling of the ground or the supporting structure on which the Product is installed; (4) any act of God (such as flooding, hurricane, earthquake, lightning, etc.); (5) improper handling, storage, abuse or neglect of the Product by Purchaser, the transferee or third parties; (6) any fading or staining not on the walking surface of the Product (i.e., the underside or the ends of the Product); or (7) ordinary wear and tear.

Procedure for Making a Claim under this Warranty

In order to make a claim under this warranty, Purchaser must do the following:

1. If the Purchaser is making a claim relating to the warranty on stain resistance, Purchaser must do as follows:

- Purchaser must try to clean the affected area of the deck by using the cleaning procedures described above within one (1) week of exposure of the food or beverage to the Product or first appearance of the mold and mildew.
- If the affected area remains reasonably unsatisfactory after Purchaser has tried these cleaning procedures, then Purchaser must have the affected area of the deck professionally cleaned at Purchaser's expense.
- If the affected area remains reasonably unsatisfactory after the professional cleaning, Purchaser may make a claim under this warranty, provided that such claim is made within thirty (30) days after the professional cleaning.

2. To make a claim under this limited warranty, Purchaser, or the transferee, shall send to Trex, within the warranty period referred to above, a description and photographs of the affected area of the Product, proof of purchase, and if the claim relates to the warranty on stain resistance, proof of compliance with paragraph 1. above, to the following address:

Trex Company, Inc.
Customer Relations
160 Exeter Drive
Winchester, VA 22603-8605

If Purchaser has any questions, Trex's telephone number in the United States is 00-11-1-800-289-8739.

3. Upon confirmation by an authorized Trex representative of a valid claim hereunder, Trex's sole responsibility shall be, at its option, to either replace the affected item or refund the portion of the purchase price paid by Purchaser for such affected item (not including the cost of its initial installation). Replacement material will be provided that is as close as possible in color, design and quality as the replaced material, but Trex does not guarantee an exact match as colors and design may change.

4. If a valid warranty claim hereunder is made during years eleven (11) through twenty-five (25) after the original purchase for a residential application, recovery will be prorated. If Trex is providing replacement materials, it may elect to replace the percentage listed below of boards otherwise meeting the requirements for a claim, or if it is refunding the purchase price, it may elect to refund the percentage listed below of the purchase price of boards otherwise meeting the requirements for a claim.

YEAR OF WARRANTY CLAIM	PERCENTAGE RECOVERY
11	80%
12	80%
13	80%
14	60%
15	60%
16	60%
17	40%
18	40%
19	40%
20	20%
21	20%
22	20%
23	10%
24	10%
25	10%

5. TO THE FULLEST EXTENT PERMITTED UNDER THE LAW, THIS WARRANTY SHALL NOT COVER AND TREX WILL NOT BE RESPONSIBLE FOR COSTS AND EXPENSES INCURRED WITH RESPECT TO THE REMOVAL OF AFFECTED PRODUCT OR THE INSTALLATION OF REPLACEMENT MATERIALS, INCLUDING BUT NOT LIMITED TO LABOUR AND FREIGHT.

TO THE FULLEST EXTENT PERMITTED UNDER THE LAW, UNDER NO CIRCUMSTANCES WILL TREX BE LIABLE FOR INCIDENTAL OR CONSEQUENTIAL DAMAGES, WHETHER SUCH DAMAGES ARE SOUGHT IN CONTRACT, IN TORT (INCLUDING BUT NOT LIMITED TO NEGLIGENCE AND STRICT LIABILITY) OR OTHERWISE, AND TREX'S LIABILITY FOR NON-PERSONAL INJURY CLAIMS WITH RESPECT TO PRODUCTS SHALL IN NO EVENT EXCEED THE REPLACEMENT OF SUCH PRODUCTS OR REFUND OF THE PURCHASE PRICE, AS DESCRIBED ABOVE.

Our goods come with guarantees that cannot be excluded under the Australian Consumer Law. You are entitled to a replacement or refund for a major failure and for compensation for any other reasonably foreseeable loss or damage. You are also entitled to have the goods repaired or replaced if the goods fail to be of acceptable quality and the failure does not amount to a major failure. The benefits under this Warranty are in addition to other rights and remedies under a law in relation to the goods to which this warranty relates.

This warranty shall only be applicable and enforceable in Australia.

Copyright © 2016 Trex Company, Inc.



Imported into Australia by



visit deckingsolutions.com.au
phone 07 3902 2690



The World's #1 Decking Brand

visit trex.com

Your local supplier

